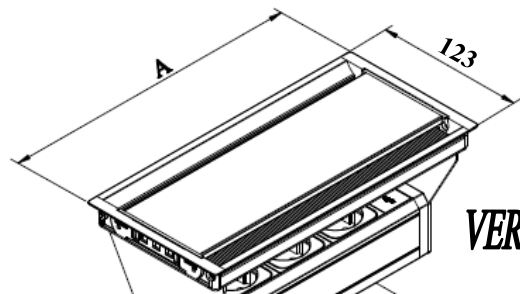
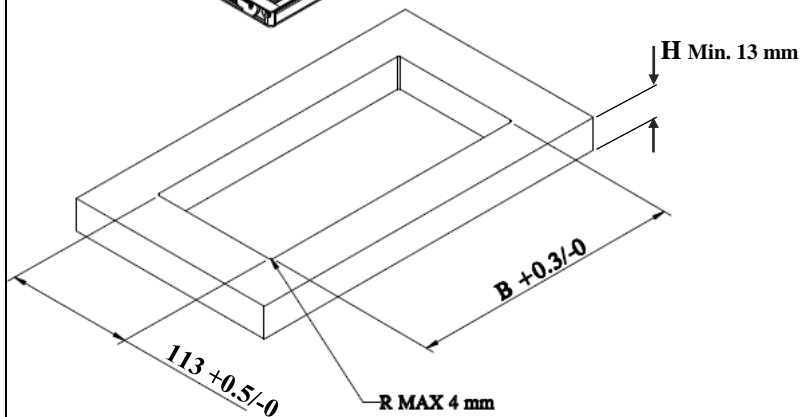
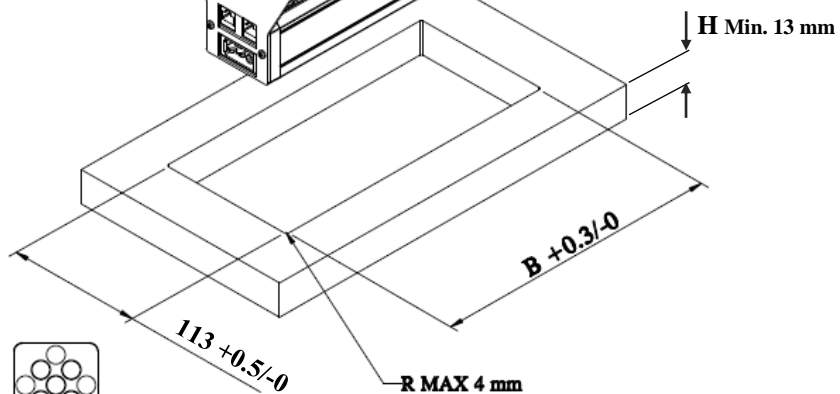


EXIT DUAL 113

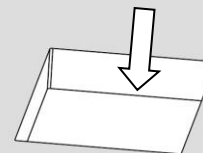
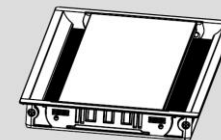


VERSAFLAP DUAL 113

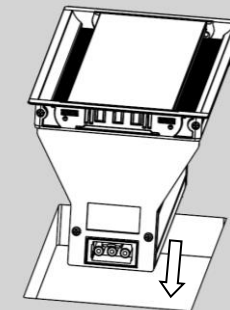


DIMENSIONI TAGLIO PIANO(mm)
TABLE CUTTING DIMENSIONS(mm)

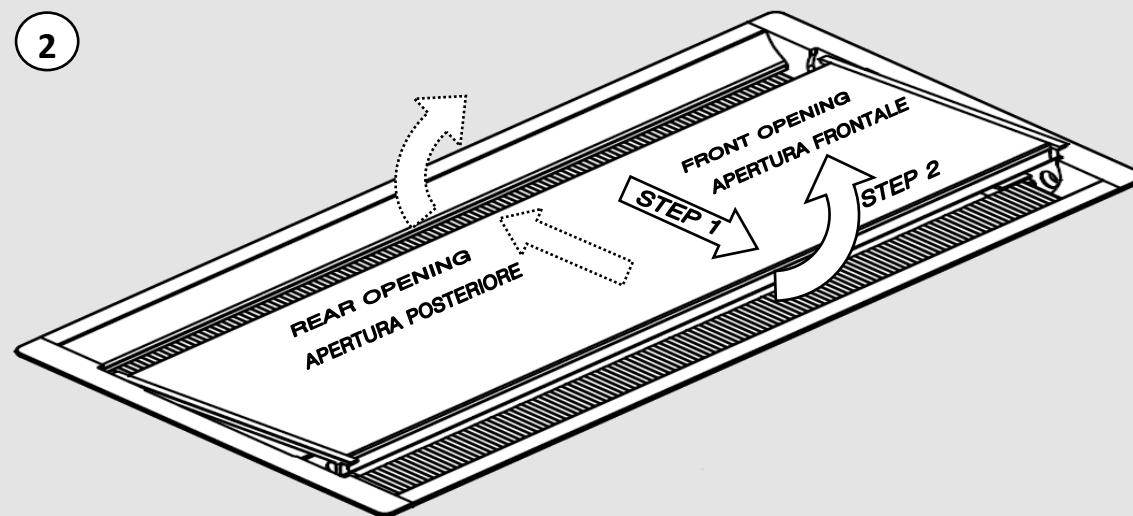
A	B
263	253
316	306
453	443



1



2



3

